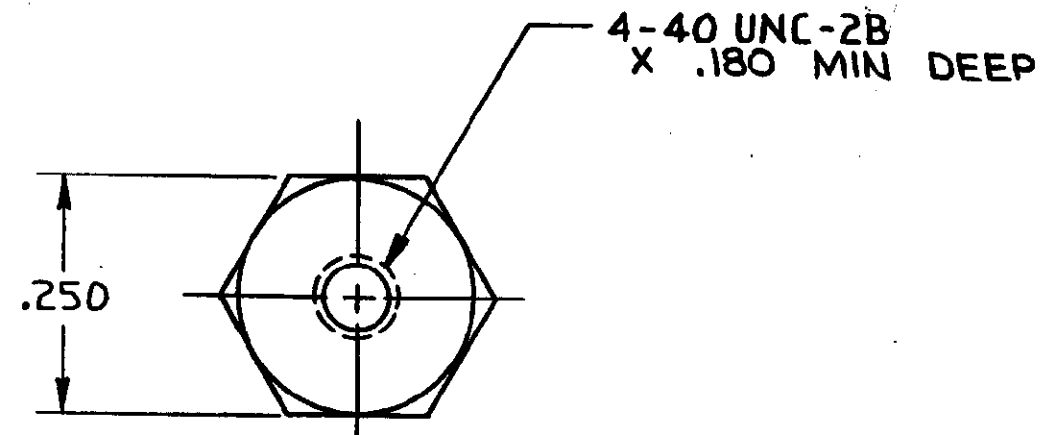
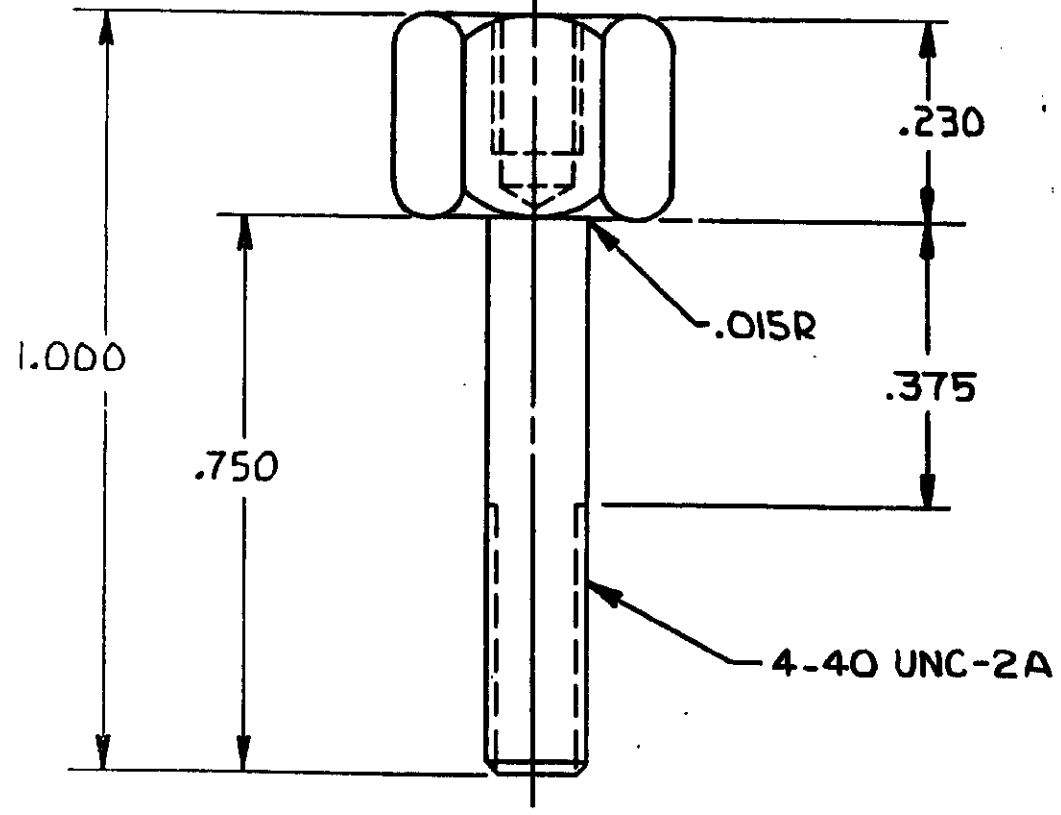


© COPYRIGHT 1976 BY AMP INCORPORATED, HARRISBURG, PA.  
ALL INTERNATIONAL RIGHTS RESERVED. AMP INCORPORATED PRODUCTS  
COVERED BY U. S. AND FOREIGN PATENTS AND/OR PATENTS PENDING.

REVISIONS						
P	F	ZONE	LTR	DESCRIPTION	DATE	APPROVED
G	1		H	REV PER ECO-13-000050	09JAN13	P. RECCE



1. ALL DIM. SHOWN ARE FOR REF ONLY.



552113-1 AS SHOWN

UNLESS OTHERWISE SPECIFIED DIMENSIONS ARE IN INCHES. TOLERANCES ON: DECIMALS ± .001 ANGLES ± .1		CONTRACT NO		PART NO	
MATERIAL BRASS		DR <i>Amey Holt</i> 5/23/78		AMP INCORPORATED Harrisburg, Pa	
FINISH NICKEL PLATE		CHK <i>RE Rauh</i> 6-1-78		NAME SCREW, MOUNTING, HEX HD	
		APPD <i>Shleg</i> 6-2-78		SIZE B	
		DSGN APPD		CODE IDENT NO 00779	
		OTHER APPD		NUMBER 552113	
				SCALE 4/1	
				SHEET 1 OF 1	